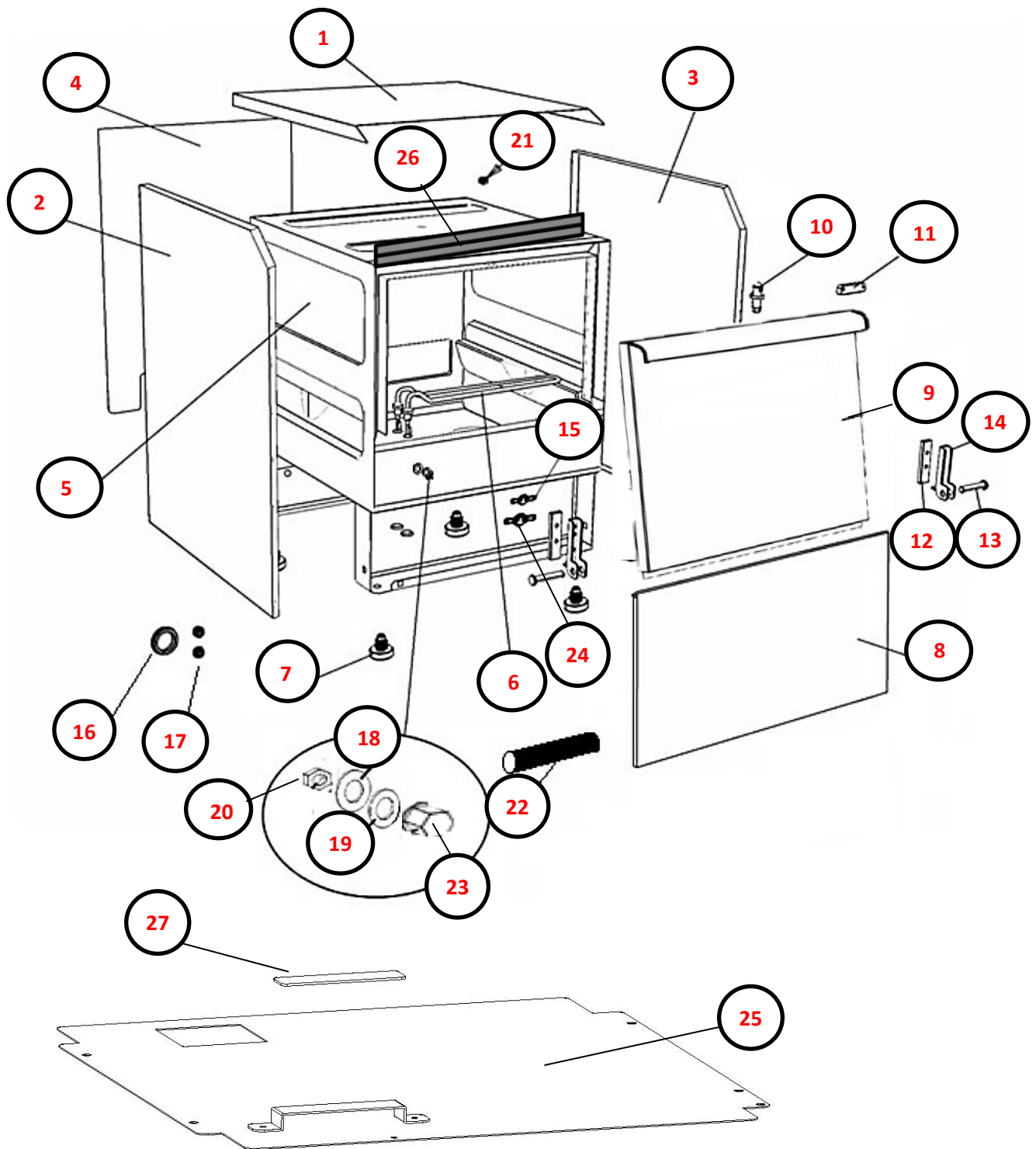


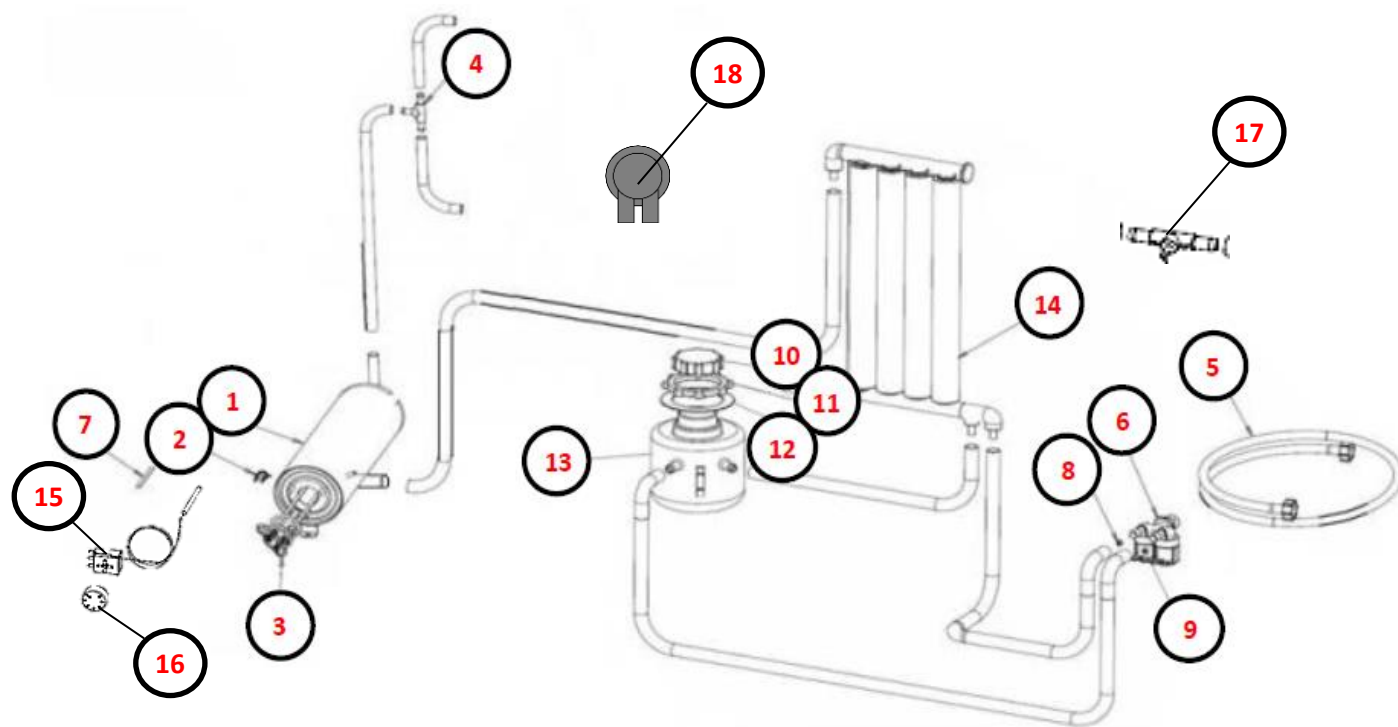
POS	CODE	DESCRIPTION	DESCRIPTION	QTA
1	P1 (2)	PANNELLERIA	FRAME	1
2	P2	RISCIACQUO	RINSE	1
3	P3	LAVAGGIO	WASH	1
4	P4	GIRANTI	ARMS	1
5	P5	CABLAGGIO	WIRING	1
6	P6 (2)	DOSATORE	CHEMICAL PUMP	1

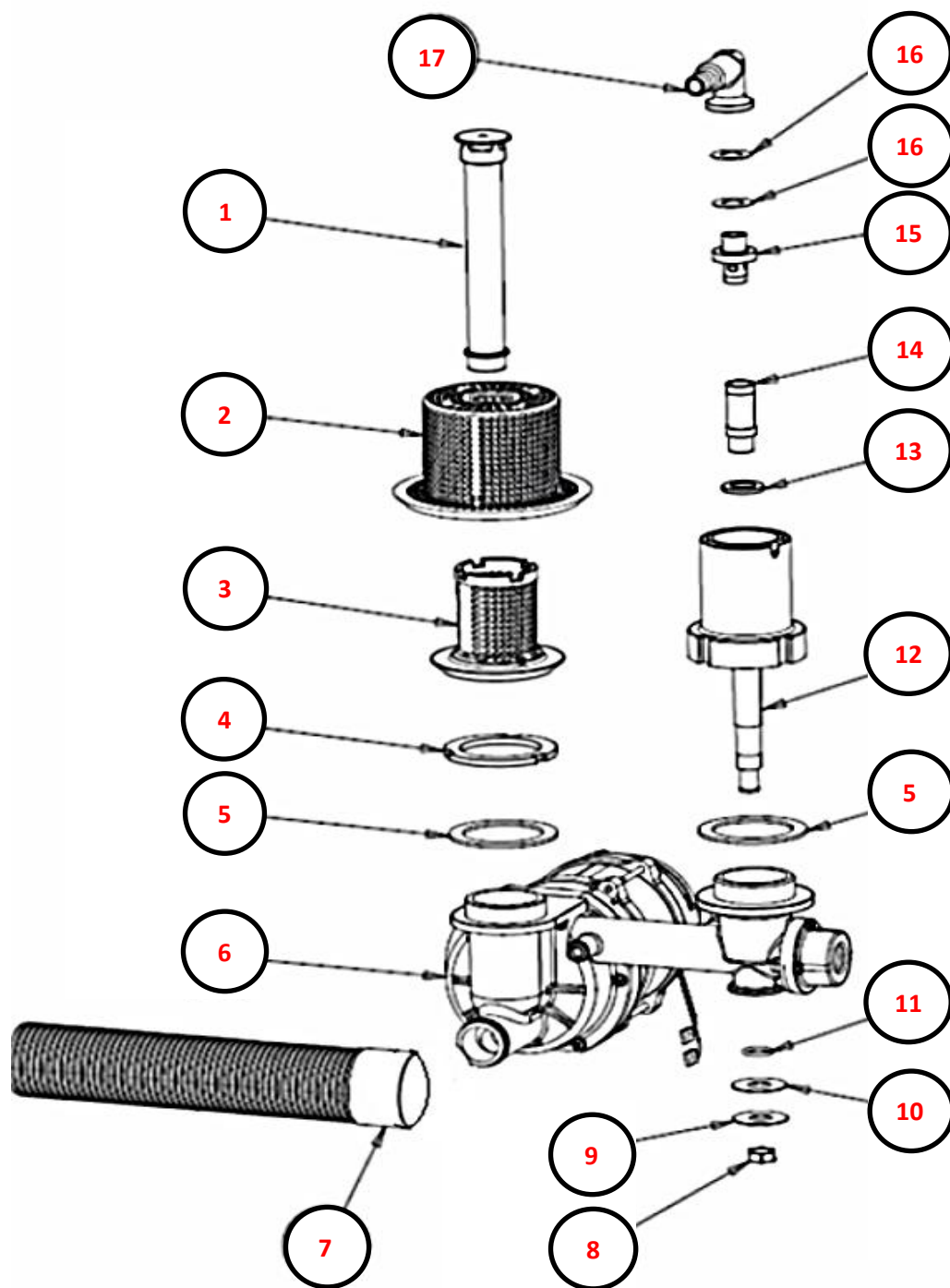


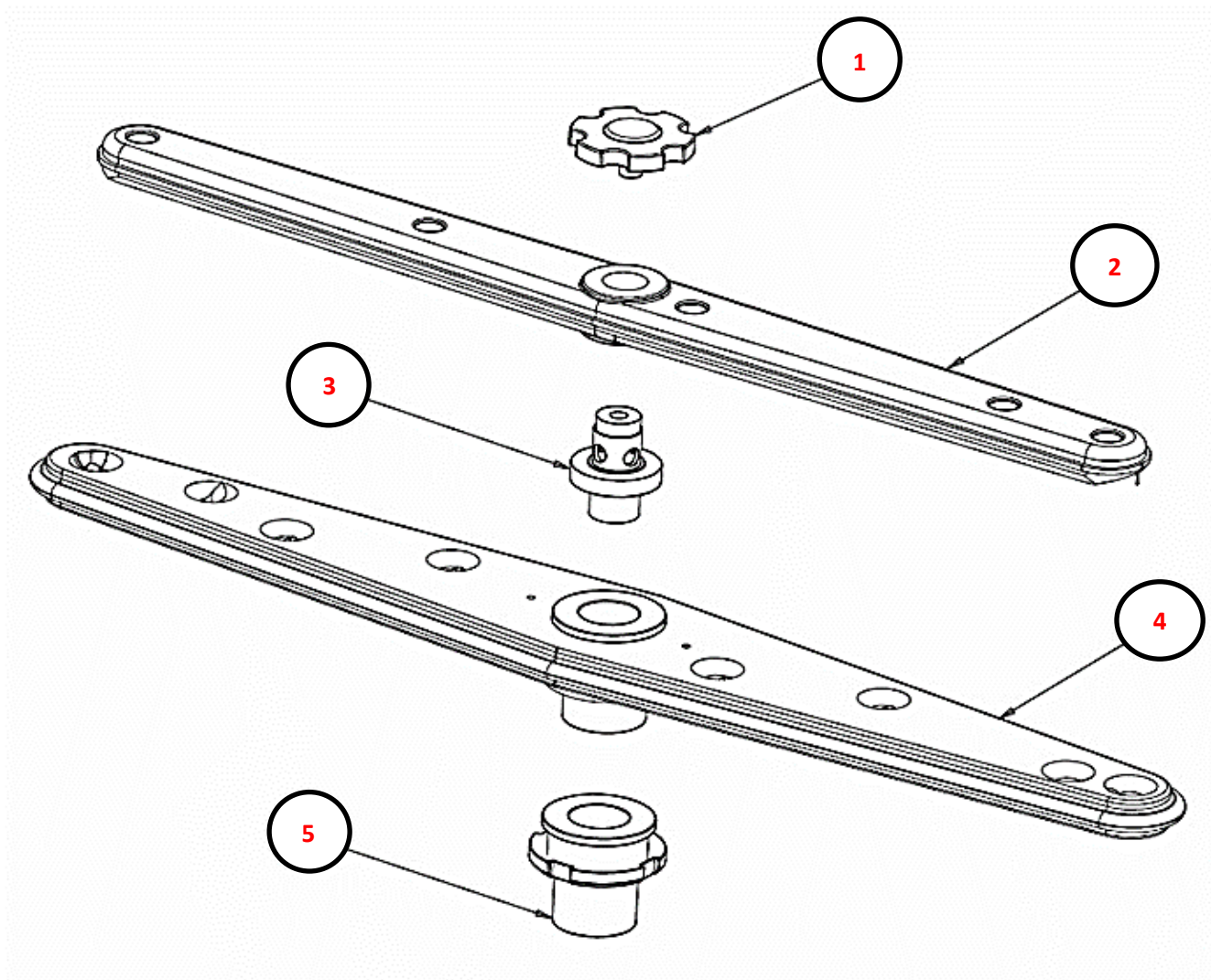
POS	CODE	DESCRIZIONE	DESCRIPTION	NR
1	902464	PANNELLO SUPERIORE S18-S021 IMPERIAL	UPPER PANEL S18-S021 IMPERIAL	1
2	902471	PANNELLO LATERALE S025 DX IMPERIAL	SIDE PANEL S025 RH IMPERIAL	1
3	902516	PANNELLO LATERALE S025 SX IMPERIAL	SIDE PANEL S025 LH IMPERIAL	1
4	902180	PANNELLO POSTERIORE S23-S025 IMPERIAL	BACK PANEL S23-S025 IMPERIAL	1
5	901853	VASCA + BASAMENTO S025A	TANK + STAND S025A	1
6	905771	RESIST. VASCA 1.6KW 230V	TANK HEATING ELEMENT 1.6KW 230V	1
7	905000	PIEDINO LAVAGGIO PVC NEW	FEET, WASH PVC NEW	4
8	902457	PANNELLO INFERIORE S18-S021 IMPERIAL	LOWER PANEL S18-S021 IMPERIAL	1
9	908529	PORTA S23-S025 CON M.I. 08/10	DOOR S23-S025 WITH HANDLE INOX 08/10	1
10	906121	SCROCCHETTO CON ROTELLA + DADO	LATCH WITH WHEEL + NUT	1
11	903651	MAGNETE + CUSTODIA FRONTALI	MAGNET + CONTAINER DISHWASHER	1
12	909920	RINFORZO PORTA FILETTATO	THREADED SUPPORT PLATE FOR DOOR	2
13	904795	PERNO PORTA	DOOR PIVOT	2
14	901245	CERNIERA PORTA SERIE S-N-E	DOOR HINGE MODEL S-N-E	2
15	907244	TERMOSTATO VASCA 55° PASTIGLIA	TANK THERMOSTAT 55° PADDLE	1
16	904721	PASSACAVO TUBO SCARICO LAVAGGIO	CABLE BUSHING DRAIN HOSE	1
17	904723	PASSACAVO TUBO BRILL./DET.	CABLE BUSHING RINSE PRODUCT/DETERGENT HOSE	2
18	903253	GUARN. RACC. DOS/SFIATO PS	GASKET DOSING UNIT/AIR VENT JUNCTION	1
19	906010	RONDELLA Ø5 P.	WASHER Ø5 P.	1
20	902030	DADO ATB 5	NUT ATB 5	1
21	NA	NON DISPONIBILE	NOT AVAILABLE	NA
22	904958	PROT. RESISTENZA VASCA IN SILICONE	TANK-HEATING ELEMENT PROTECTION SILICONE	1
23	906708	RACC. INOX ENTR. DETERSIVO VASCA ANT.	STAINLESS-STEEL FRONT INLET CONNECTION FOR DETERGENT IN TANK	1
24	907126	TERMOSTATO VASCA 42° PASTIGLIA	TANK THERMOSTAT 42° PADDLE	1
25	907996	ASSIEME CHIUSURA BASAM. S021-S025 CON SUPP.POMPA	BASEMENT CLOSING ASSEMBLY S021-S025 WITH PUMP SUPPORT	1
26	902806	GUARN. PORTA S021-S025-S23 L=400mm	DOOR GASKET S021-S025-S23 L=400mm	1
27	907987	GOMMA ANTIVIBRAZIONE POMPA GIS	RUBBER ANTI-VIBRATION PUMP GIS	1



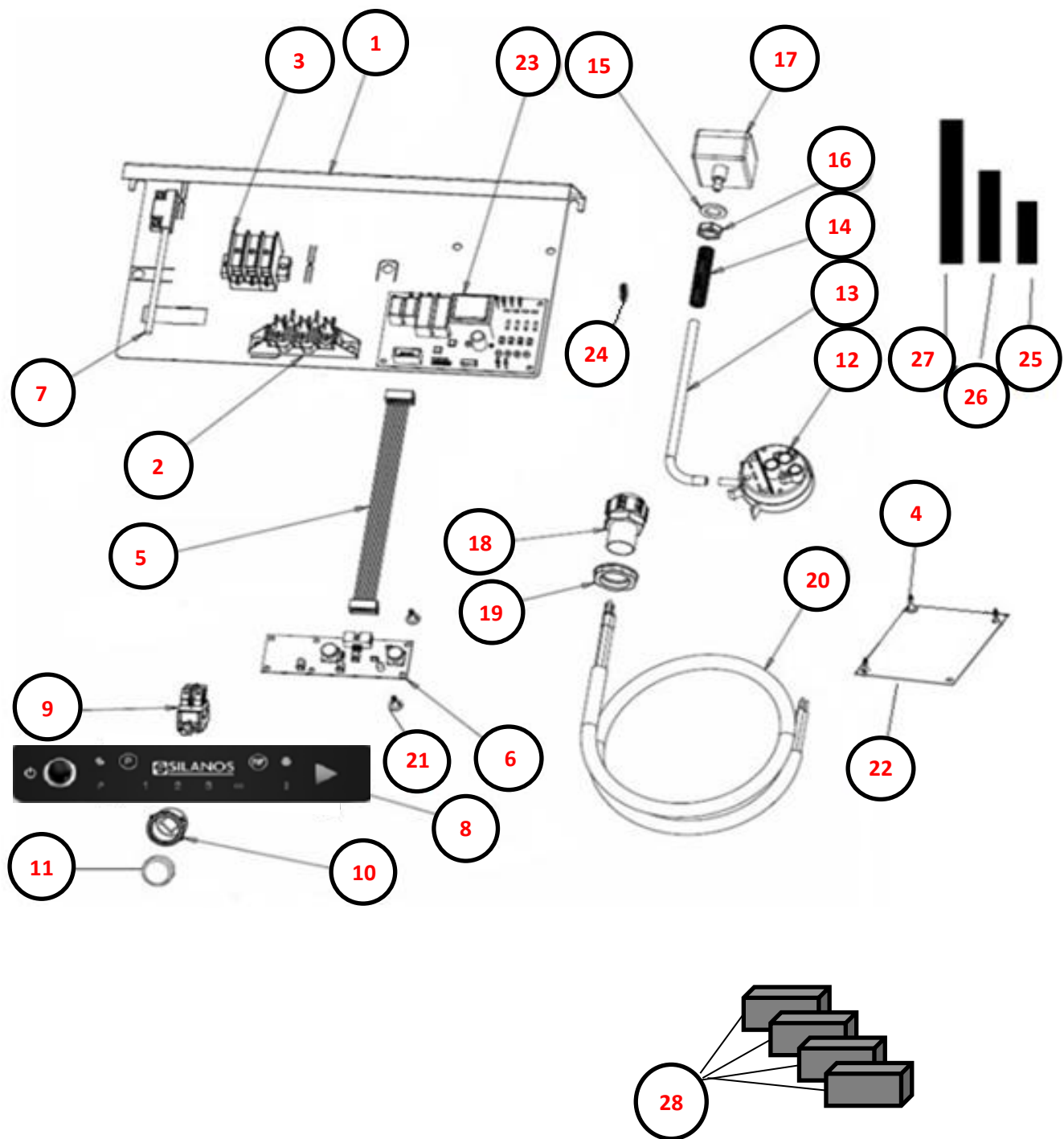
POS	CODE	DESCRIZIONE	DESCRIPTION	NR
1	900352	BOILER E35-E40-E40H-E40HL+RES.2.6KW Ø105	BOILER E35-E40-E40H-E40HL+RES.2.6KW Ø105	1
2	907297	TERMOSTATO SICUR. 110° PASTIGLIA	SAFETY THERMOSTAT 110° PADDLE	1
3	NA	NON DISPONIBILE	NOT AVAILABLE	NA
4	905382	RACC. 3 VIE RISCIAQUO	THREE-WAY CONNECTION RINSE	1
5	907348	TUBO CARICO 90° 1500MM S 800 HW	WATER LOAD HOSE 90° 1500MM S 800 HW	1
6	902410	ELETTROV. 3 VIE Ø10 CON RIDUTTORE ROSSO	3-WAYS SOLENOID VALVE Ø10 WITH RED REDUCER	1
7	904075	LAMELLA OTTONE	BRASS PLATE	1
8	NA	NON DISPONIBILE	NOT AVAILABLE	NA
9	NA	NON DISPONIBILE	NOT AVAILABLE	NA
10	906418	TAPPO CONTENITORE SALE	SALT-CONTAINER CAP	1
11	902830	GHIERA CONTENITORE SALE	FERRULE, SALT CONTAINER	1
12	903340	GUARN. CONTENITORE SALE	SALT CONTAINER GASKET	1
13	901794	CONTENITORE SALE CON SENSORE COMPLETO	COMPLETE SALT CONTAINER WITH SENSOR	1
14	902150	DECALCIFICATORE	SOFTENER	1
15	TR0440	TERMOSTATO BOILER 0/90 LAVASTOVIGLIE	THERMOSTAT BOILER 0/90 DISHWASHER	1
16	903982	MANOPOLA TERMOSTATO 0/90°	THERMOSTAT KNOB 0/90°	1
17	905434	RACC. 3 VIE DOSATORE SU POMPA	THREE-WAY CONNECTION DOSING PUMP	1
18	908762	VALVOLA ANTIRIFLUSSO 3/4 ESTERNA	EXTERNAL NON-RETURN VALVE 3/4	1







POS	CODE	DESCRIZIONE	DESCRIPTION	NR
1	902586	RETROT. S021-S025-S23 DIGIT2 IMPERIAL	BACKPLATE S021-S025-S23 DIGIT2 IMPERIAL	1
2	904140	MORSETTIERA 3 POLI	TERMINAL BOX 3 POLES	1
3	904161	MORSETTO UNIPOLARE CON SPALLA	1-POLE CLAMP WITH BRACKET	1
4	902193	DISTANZIALE TIMER ELETTRONICO	ELECTRONIC TIMER SPACER	1
5	907397	FLAT SCHEDE DIGIT2 ELCA L=400MM	FLAT DIGIT2 BOARD ELCA L=400MM	1
6	907395	SCHEDE DIGIT2 FRONTALE ELCA	FRONT BOARD DIGIT2	1
7	909290	REED MAGNETICO LAVASTOVIGLIE	MAGNETIC REED WAREWASHER	1
8	900160	TARGA DIGIT2 SILANOS	PLATE DIGIT2 SILANOS	1
9	905314	INTERRUTTORE/DEVIATORE 6 FASTON INCLIN.	SWITCH/DIVERTER 6 INCLINED FASTONS	1
10	905341	SUPP. PULS. TONDO Ø25 ARG.	ROUND-BUTTON SUPPORT Ø25 SILVER	1
11	905330	TASTO TONDO Ø25 BLU LUCIDO	ROUND BUTTON Ø25 GLOSSY BLUE	1
12	905270	PRESSOSTATO 20/40	PRESSURE SWITCH 20/40	1
13	907279	TUBO SILICONE 4X7	SILICONE HOSE 4X7	2
14	904131	MOLLA PROTEZIONE TUBETTO	SPRING PROTECTING TUBE	2
15	903263	GUARN. M12 TR.ARIA	GASKET M12 AIR TRAP	1
16	902038	DADO M12 PPL	NUT M12 PPL	1
17	905266	TRAPPOLA ARIA 45MM GRIGIO NEW	AIR TRAP 45MM GREY NEW	1
18	902683	PRESSACAVO PG16	CABLE GLAD PG16	1
19	902677	GHIERA PRESSACAVO PG16	FERRULE CAGLE GLAND PG16	1
20	908130	CAVO ALIMENTAZ. 3X2.5X3000 SPINA SCUKO	POWER-SOURCE CABLE 3X2.5X3000 SHUKO PLUG	1
21	909429	DISTANZIALE SCHEDE FRONTALE H=11MM	FRONT BOARD SPACER H=11MM	4
22	902300	ISOLATORE SCHEDE BASE DIGIT2 ELCA 123x81	BASE-BOARD ISOLATOR DIGIT2 ELCA 123X81	1
23	907392	SCHEDE DIGIT2 BASE ELCA 5 RELE	BASE BOARD DIGIT2 5 RELAY	1
24	902425	FASCETTA BIFILARE A MOLLA 7.8X8.3	TWO-WIRE SPRING CLAMP 7.8X8.3	1
25	900803	CONNETTORE STOCKO 3 POLI SCHEDE ELCA	3-POLE CONNECTOR STOCKO ELCA BOARD	1
26	900805	CONNETTORE STOCKO 5 POLI SCHEDE ELCA	5-POLE CONNECTOR STOCKO ELCA BOARD	1
27	900807	CONNETTORE STOCKO 7 POLI SCHEDE ELCA	7-POLE CONNECTOR STOCKO ELCA BOARD	1
28	905821	QUADROTTI SPUGNA 50X40	SPONGE SQUARES 50X40	4



POS	CODE	DESCRIZIONE	DESCRIPTION	NR
1	907456	PESO INOX 190mm TUBETTO BRILLANTANTE/DETERSIVO	STAINLESS STEEL WEIGHT TUBE RINSE AID DETERGENT 190mm	2
2	907278	TUBO CRYSTAL ROSSO 4X6	TRASPARENT-RED HOSE 4X6	1
3	902046	TUBO CRYSTAL TRASP. 4X6	TRASPARENT HOSE 4X6	1
4	907279	TUBO SILICONE 4X7	SILICONE HOSE 4X7	1
5	902062	DOSATORE BRILL. PERIST. SEKO TEMPORIZZATO	PERISTALTIC RINSE-PRODUCT PUMP WITH REGULATOR	1
6	902052	DOSATORE DETERS. PERIST. SEKO	PERISTALTIC DETERGENT PUMP	1
7	952820	SUPP. DOS. PERISTALTICO DOPPIO	DOUBLE PERISTALTIC DOSING PUMP SUPPORT	1
8	906708	RACC. INOX ENTR. DETERSIVO VASCA ANT.	STAINLESS-STEEL FRONT INLET CONNECTION FOR DETERGENT IN TANK	1
9	903253	GUARN. RACC. DOS/SFIATO PS	GASKET DOSING UNIT/AIR VENT JUNCTION	1
10	906010	RONDELLA Ø5 P.	WASHER Ø5 P.	1
11	902030	DADO ATB 5	NUT ATB 5	1
12	902569	FILTRO DOSATORE	DOSING UNIT FILTER	2

